

ELTECH FURNITURE INC.

N GOULD ST STE R SHERIDAN, WY 82801

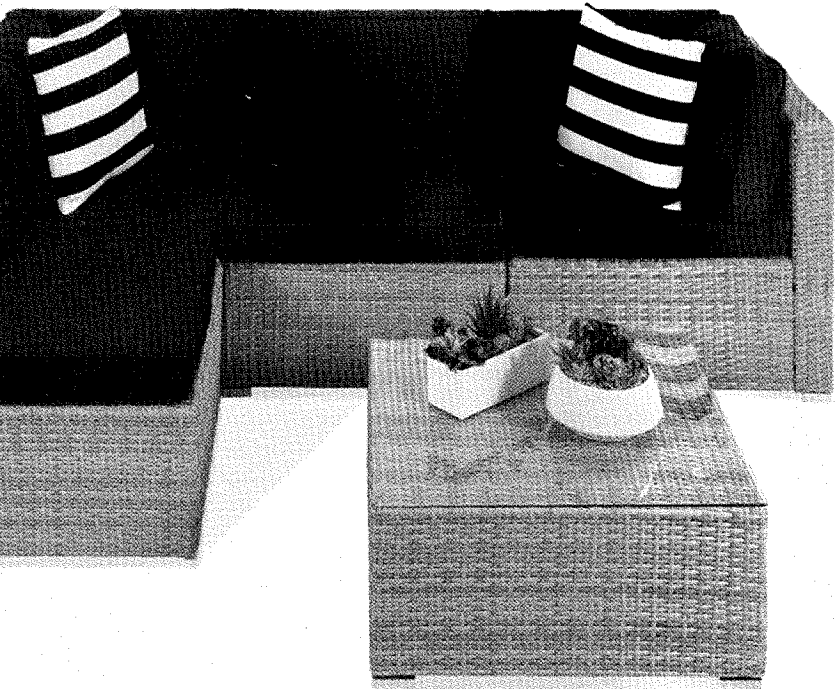
(8)995 8303

(8)648 8312

o@htthdesign.com

Patio Conversation Set

INSTRUCTION MANUAL

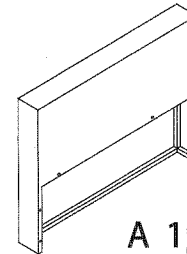


IMPORTANCE

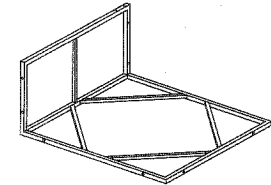
- ▶ 1. Please DO NOT fix screws tightly until all screws and holes have been connected successfully.
- ▶ 2. Thread the screws a little bit first, leave them loose until ALL screws are in, and then tighten them all.
- ▶ 3. Please email us (info@htthdesign.com) with PICTURES of parts and SKU# info. on box marks if there is any trouble with assembly or missing or damaged parts.
- ▶ 4. Don't expose cushions (if have) in the BURNING sun for a long time, please cover the set or put cushions indoor during rainy or snowy days.
- ▶ 5. Please DO NOT discard packing boxes before all parts are assembled successfully.
- ▶ 6. DO NOT touch the glass (if have) with bare hands if the glass is broken during shipping.

Thank you!

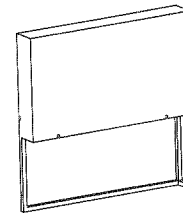
Parts List of Right-hand Sofa



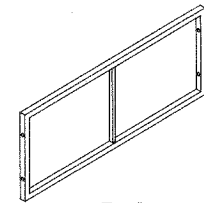
A 1pc
(Right Armrest)



B 1pc
(Right Seat Plate)



C 1pc
(Right Backrest)



I 1pc
(Side Panel)



a
10 pcs
M6*50



b
2 pcs
M6*30



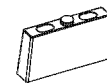
c
8 pcs
M6*40



d
18 pcs
Nut



j
12 pcs
Spacer



e
1 pcs
Straight



f
3 pcs
Corner



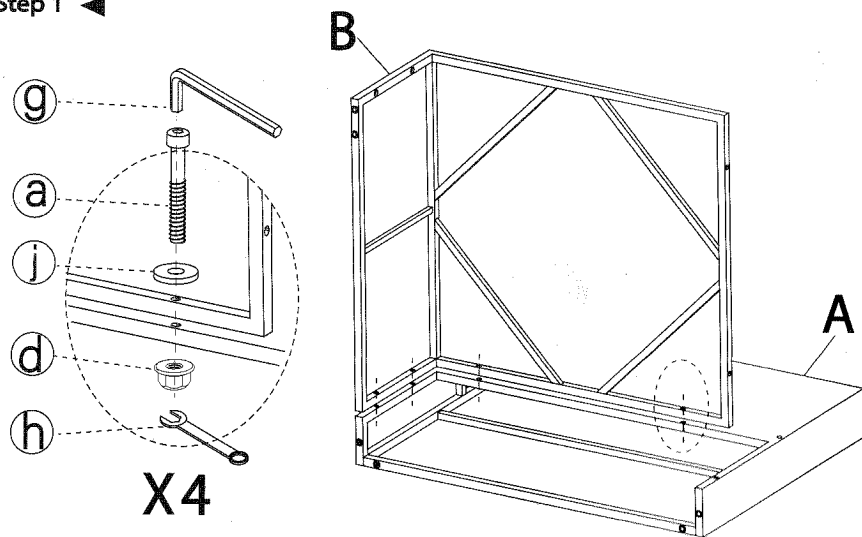
g
1 pc
Allen key



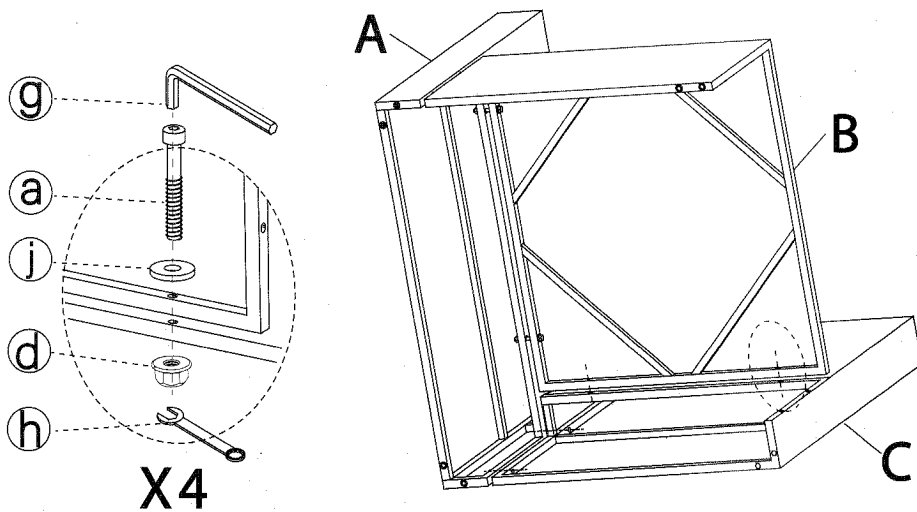
h
1 pc
Spanner

Assembly step for Right-hand Sofa

Step 1 ◀

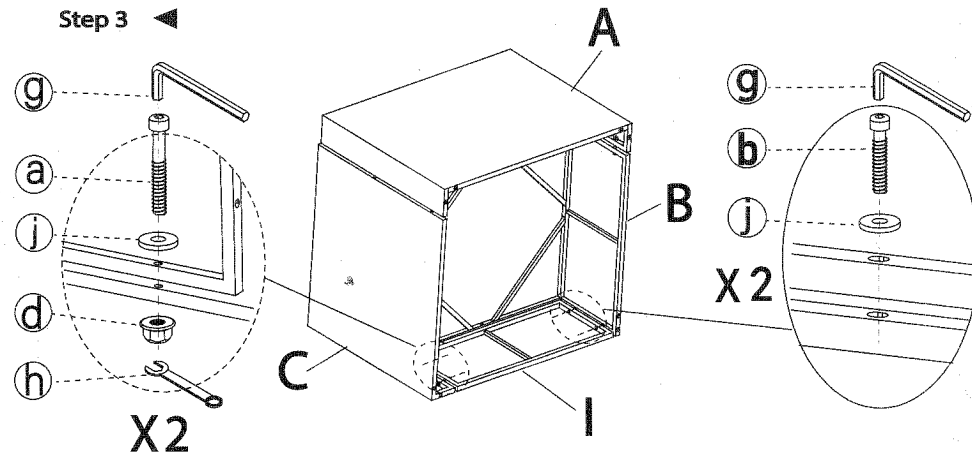


Step 2 ◀

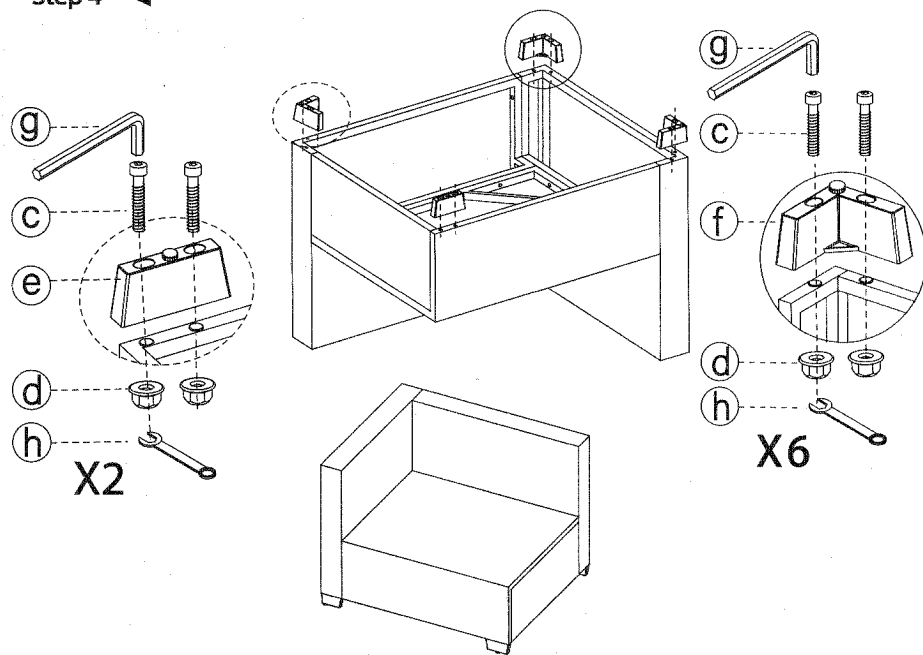


Assembly step for Right-hand Sofa

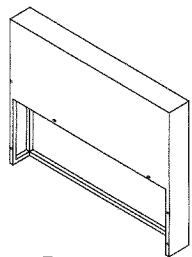
Step 3 ◀



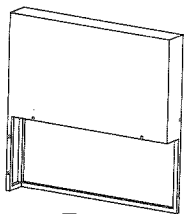
Step 4 ◀



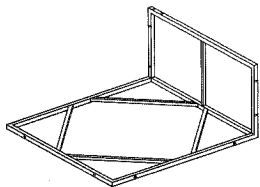
Parts List of Left-hand Sofa



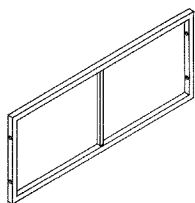
D 1pc
(Left Armrest)



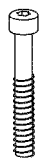
F 1pc
(Left Backrest)



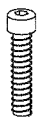
E 1pc
(Left SeatPlate)



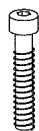
I 1pc
(Side Panel)



a
10 pcs
M6*50



b
2 pcs
M6*30



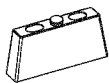
c
8 pcs
M6*40



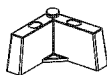
d
18 pcs
Nut



j
12 pcs
Spacer



e
1 pcs
Straight



f
3 pcs
Corner



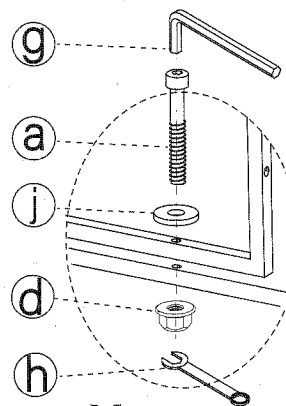
g
1 pc
Allen key



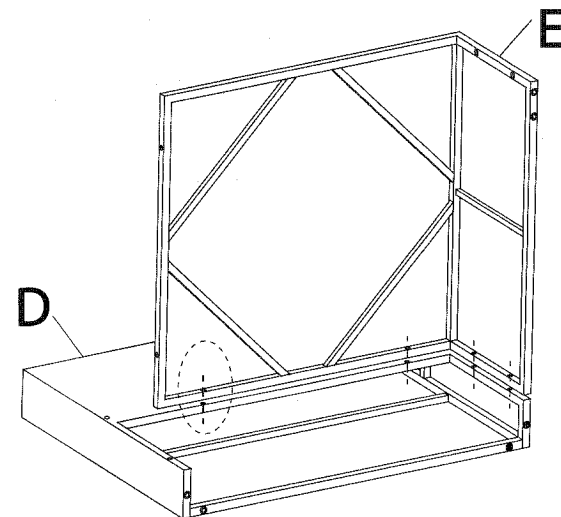
h
1 pc
Spanner

Assembly Step for Left-hand Sofa

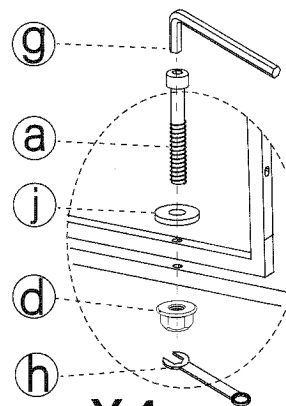
Step 4 ◀



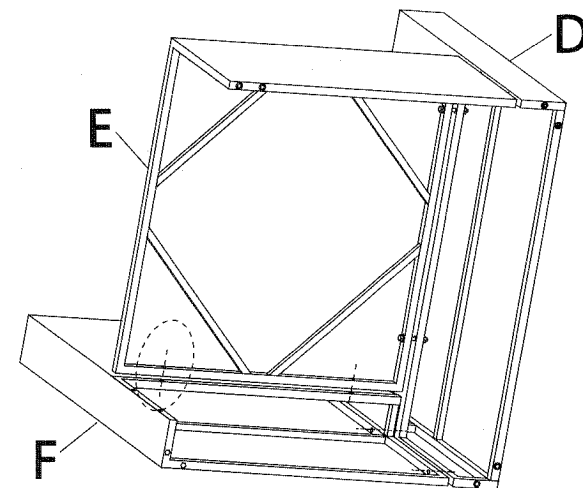
X4



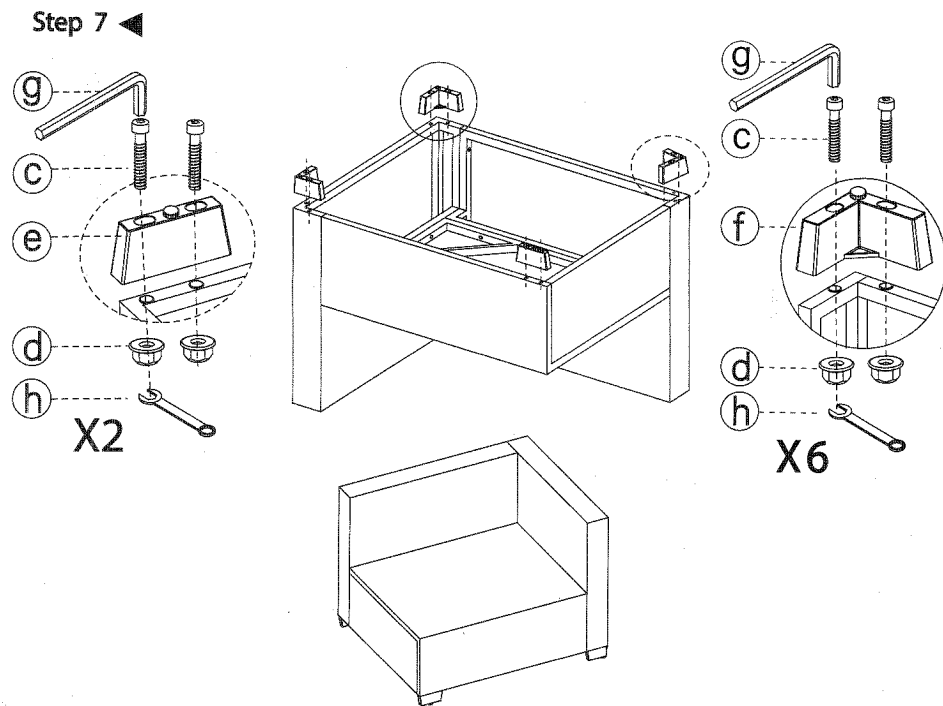
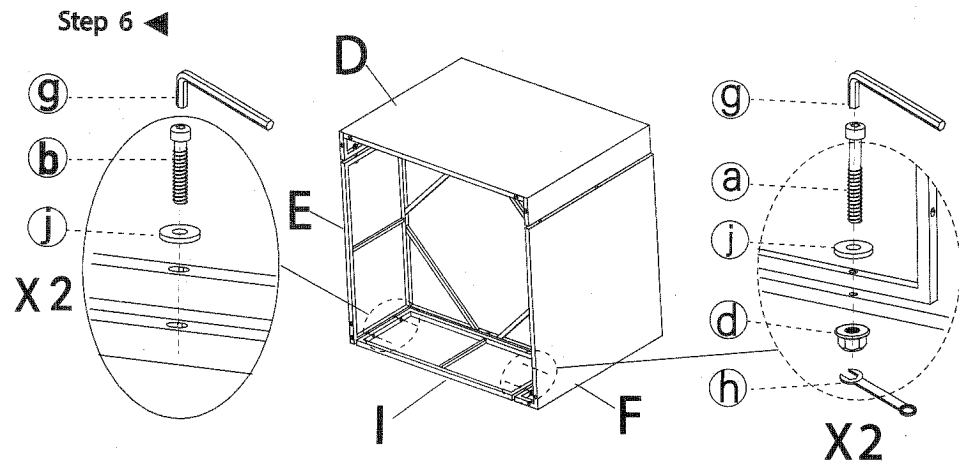
Step 5 ◀



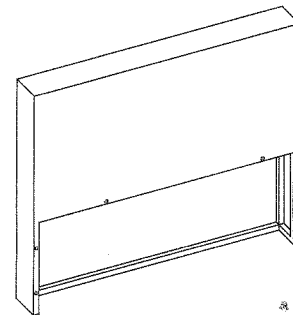
X4



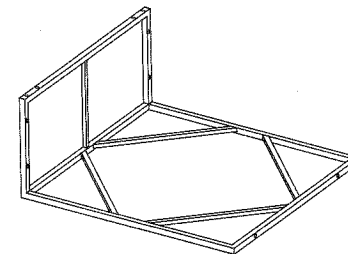
Assembly Step for Left-hand Sofa



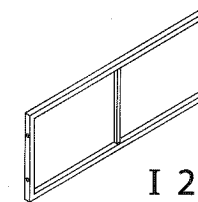
Parts List of Mid Sofa



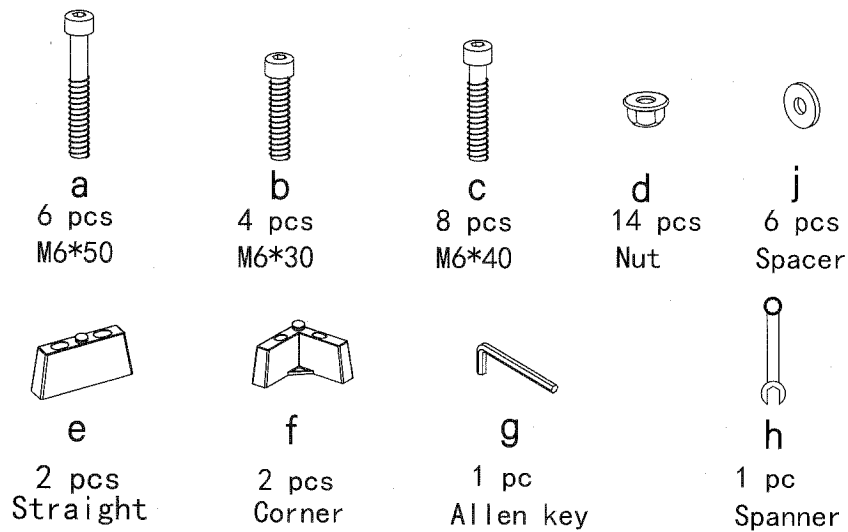
G 1pc
(Backrest)



H 1pc
(Seat Plate)

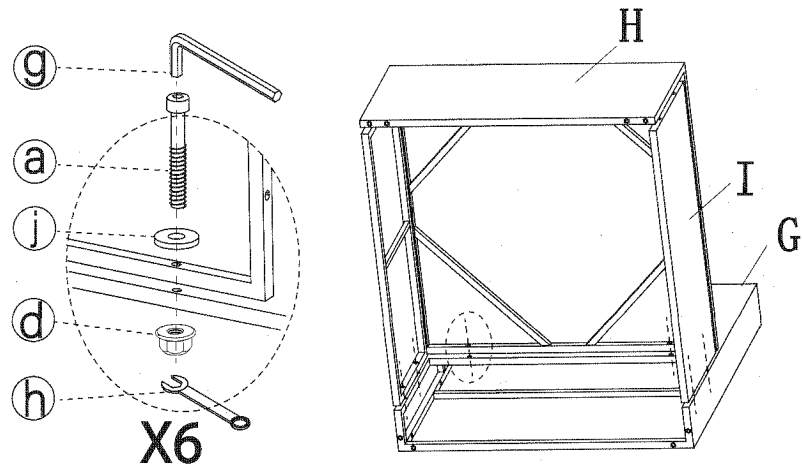


I 2pcs
(Side Panel)

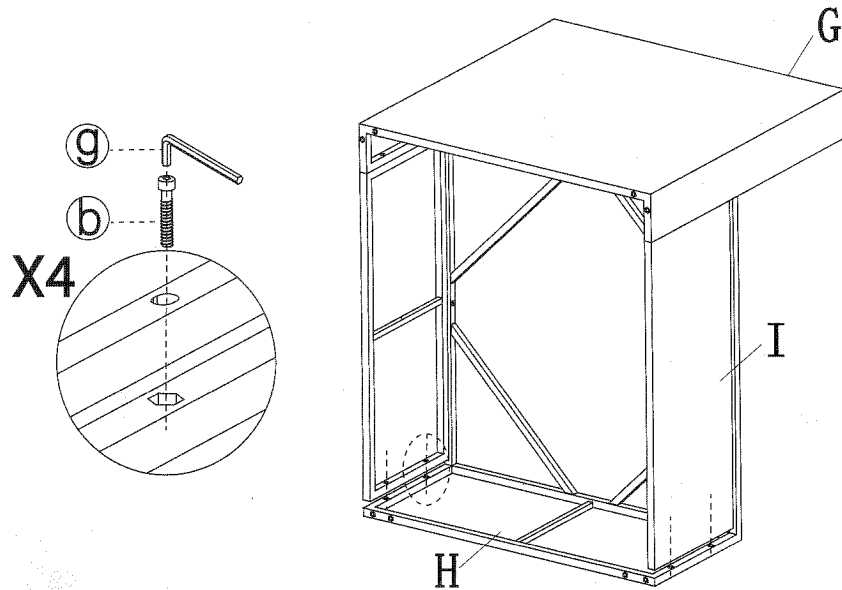


Assembly Step for Mid Sofa

Step 7 ◀

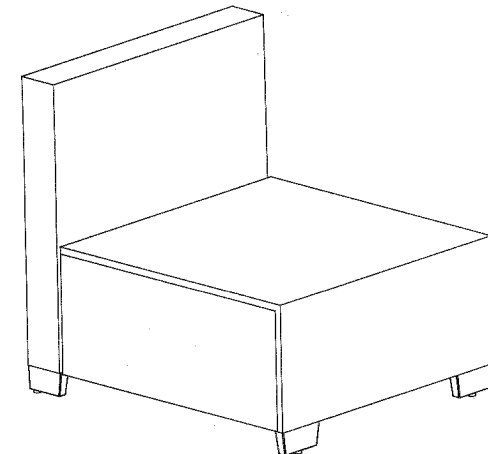
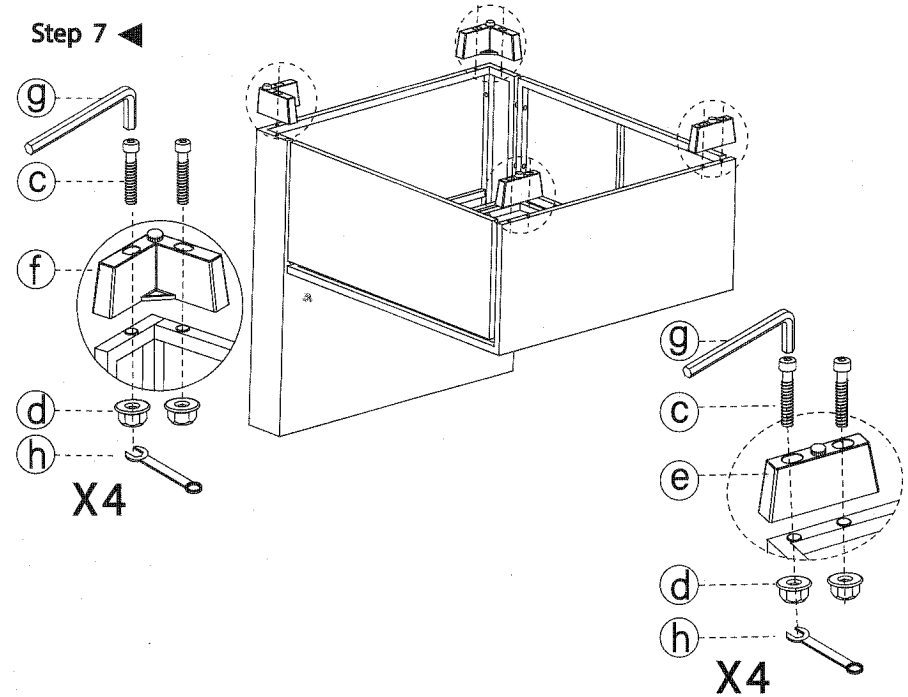


Step 8 ◀

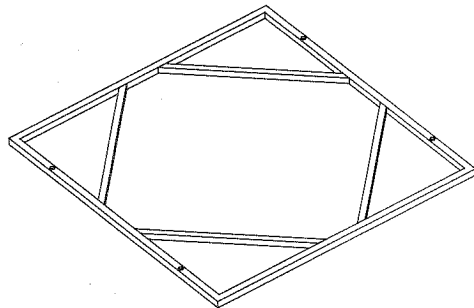


Parts List of three seat sofa

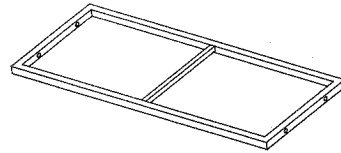
Step 7 ◀



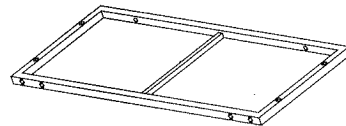
Parts List of sofa ottoman



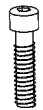
M 1pc
(Top Panel)



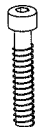
N 2pcs
(Side Panel)



O 2pcs
(Front/Back Panel)



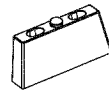
b
12 pcs
M6*30



c
8 pcs
M6*40



d
8 pcs
Nut



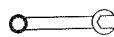
e
4 pcs
Straight



j
12 pcs
Spacer



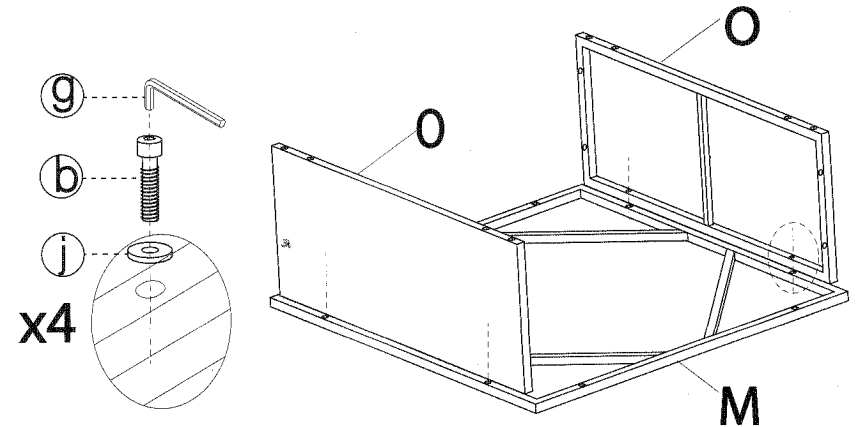
g
1 pc
Allen key



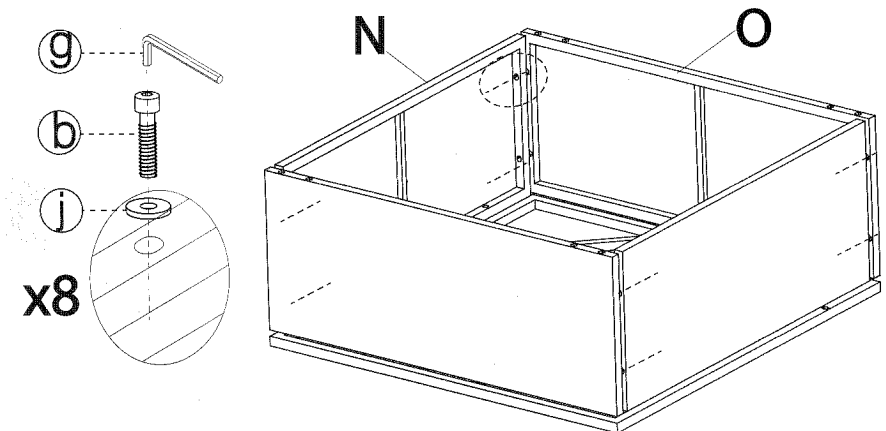
h
1 pc
Spanner

Assembly Step for sofa ottoman

Step 11 ◀

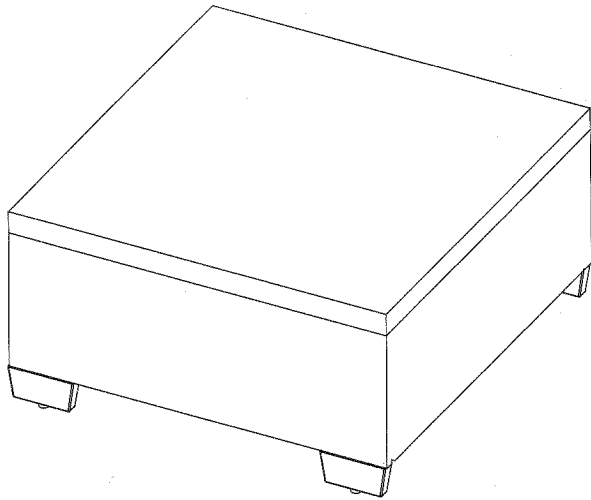
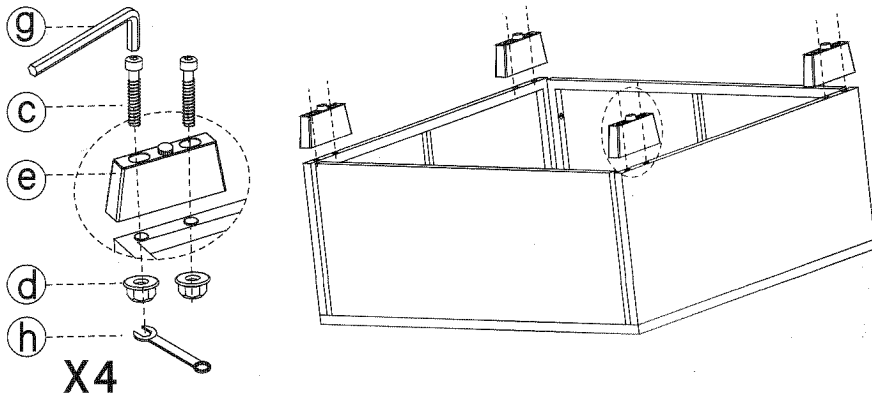


Step 12 ◀

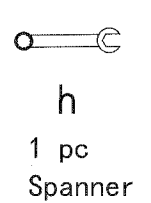
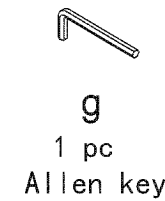
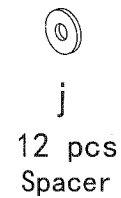
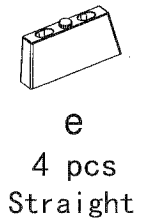
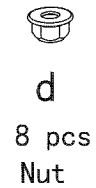
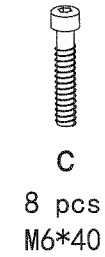
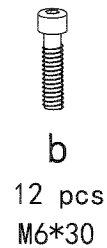
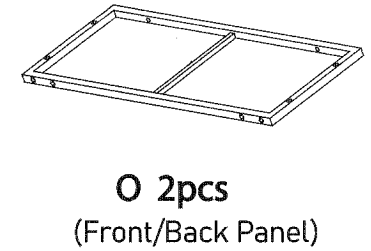
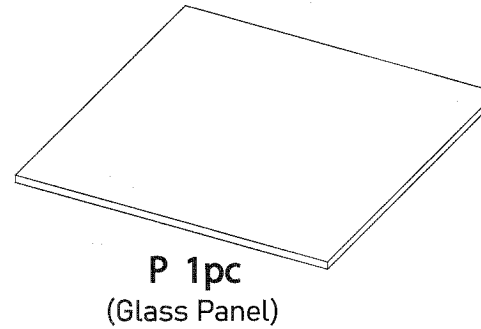
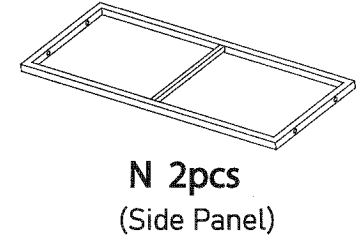
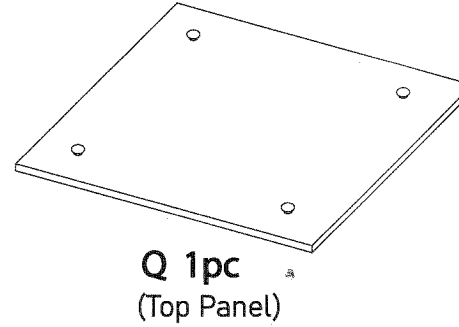


Assembly Step for sofa ottoman

Step 13 ◀

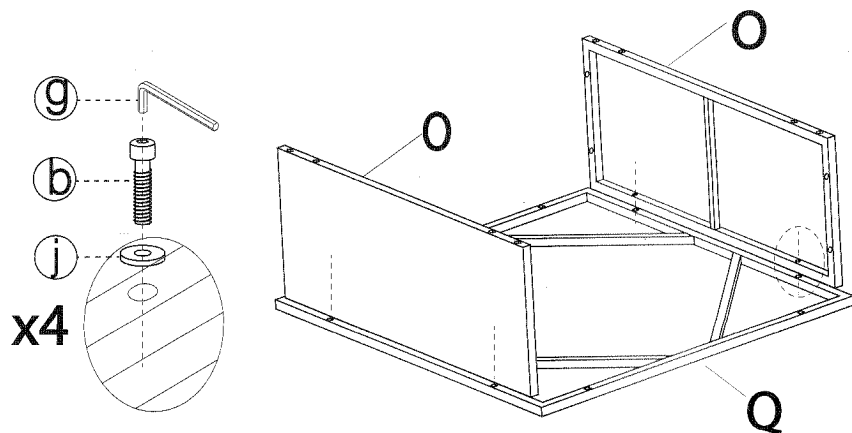


Parts List of Table

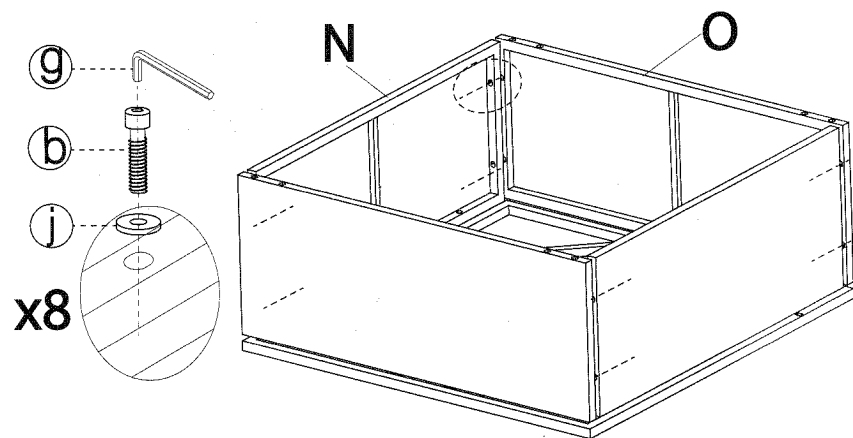


Assembly Step for Table

Step 14 ◀

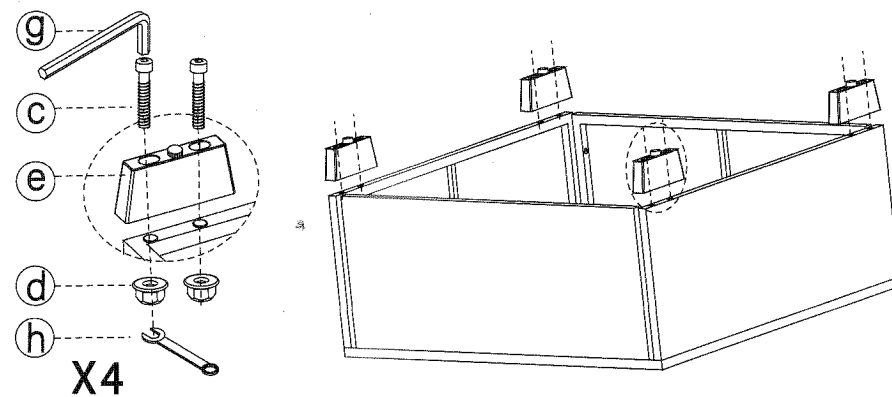


Step 15 ◀

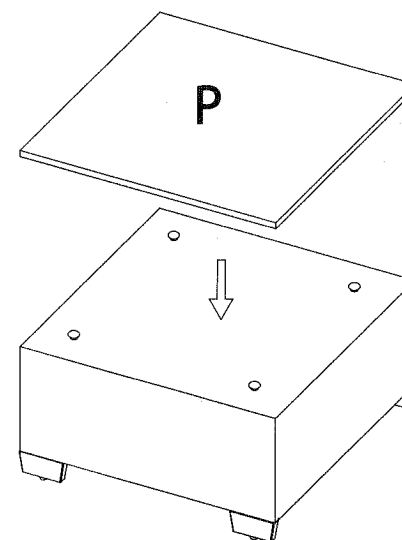


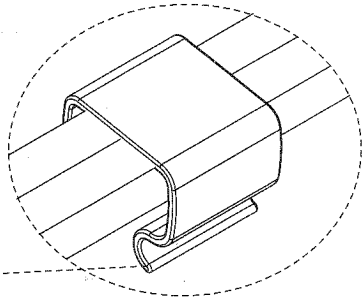
Assembly Step for Table

Step 16 ◀



Step 17 ◀





Ⓚ
X6

